



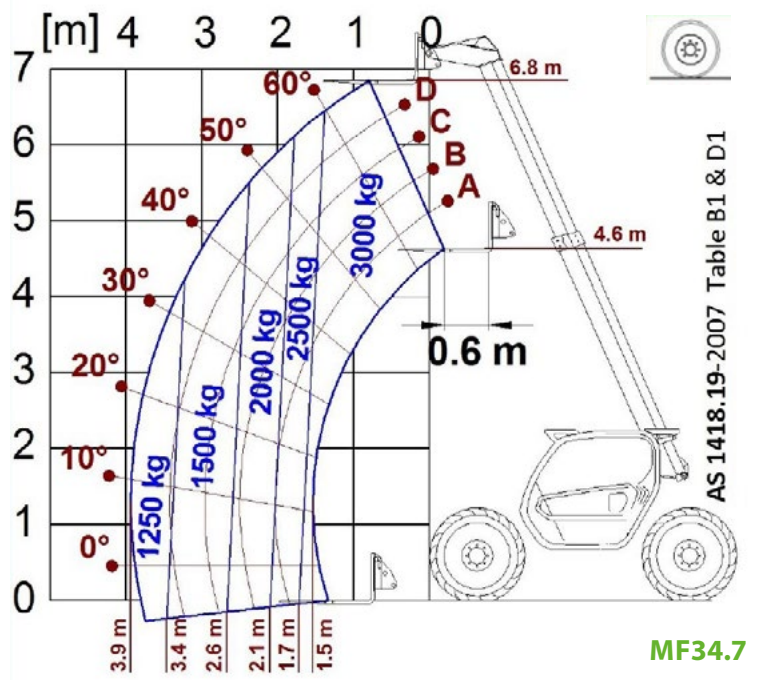
# MULTIFARMER 34.7



PERFORMANCE AND FEATURES	MF34.7	MF34.7 CS	MF34.7CS CVT
<b>PERFORMANCE</b>			
Total unladen weight (kg)	7900	8000	8000
Maximum capacity (kg)	3000	3000	3000
Lifting height (m)	6,8	6,8	6,8
Maximum reach (m)	3,9	3,9	3,9
Maximum operating height (m)	6,8	6,8	6,8
Maximum operating reach (m)	1,7	1,7	1,7
Capacity at maximum height (kg)	3000	3000	3000
Capacity at maximum reach (kg)	1250	1250	1250
Lateral boom movement (mm)	-	-	-
Tilting correction (%)	± 8	± 8	± 8
Boom sections	2	2	2
<b>POWERTRAIN</b>			
Turbo motor	Deutz TCD3.6	Deutz TCD3.6	Deutz TCD3.6
Displacement/cylinders	3600/4	3600/4	3600/4
Engine Power (kW/HP)	100/136	100/136	100/136
Anti-pollution technology	TIER 4F, STAGE IV, SCR+DOC	TIER 4F, STAGE IV, SCR+DOC	TIER 4F, STAGE IV, SCR+DOC
Reversible fan	○	○	○
Maximum speed (km/h)	40	40	40
Fuel tank (l)	140	140	140
AdBlue tank (l)	18	18	18
Hydrostatic transmission	● - 2V	● - 2V	CVTronic
EPD	Top	Top	Top
Axles	Axial	Axial	Axial
Reduction hub	Epicyclic	Epicyclic	Epicyclic
Machine brakes	Dry discs	Dry discs	Dry discs
Automatic parking brake	●	●	●
<b>HYDRAULIC</b>			
Hydraulic pump	LS + FS	LS + FS	LS + FS
Flow rate/pressure (l/min – bar)	145 – 210	145 – 210	145 – 210
Hydraulic tank	100	100	100
Hydraulic outlet at the top of the boom	●	●	●
Rear hydraulic outlets	2 - ●	2 - ●	2 - ●
<b>CAB</b>			
Cab configuration	ECO	ECO	ECO
MCDC	Complet	Complet	Complet
FOPS LIV II cab	●	●	●
ROPS cab	●	●	●
Cab commands	Electronic joystick	Electronic joystick	Electronic joystick
Tilting Cab	-	-	-
Reverse shuttle	Dual reverse	Dual reverse	Dual reverse
<b>CONFIGURATION</b>			
Cab suspension	-	●	●
Boom suspension	●	●	●
Suspension on axles	-	-	-
Work headlights on cab	●	●	●
Sun blind	●	●	●
Tac-lock	●	●	●
Provision for a platform	○	○	○
Two floating forks	●	●	●
Inching-Control	●	●	●
Four-wheel drive	●	●	●
Four-wheel steering	●	●	●
Three steering modes	●	●	●
Standard tyres	460/70-R24	460/70-R24	460/70-R24
Optional tyres	-	-	-
Stabilisers	-	-	-
Turret rotation	-	-	-
Type approval as an agricultural tractor	●	●	●
Approval with PNEUMATIC braking	○	○	○
Approval with HYDRAULIC braking	○	○	○
PTO	●	●	●
3-point linkage	●	●	●

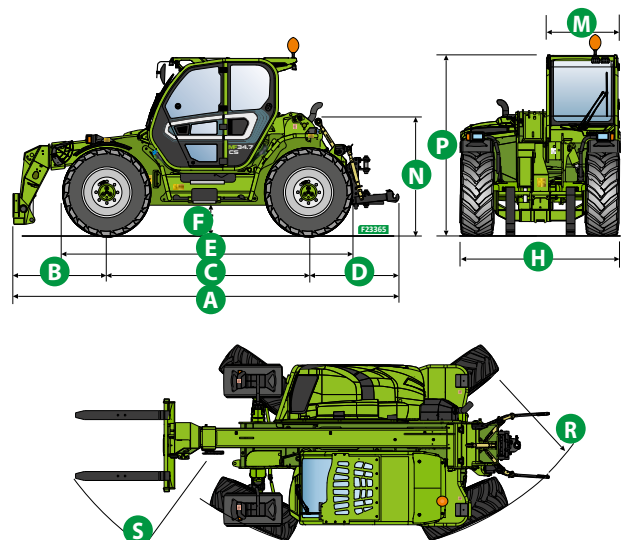
- Not Available. ● standard. ○ optional.

## LOAD CHARTS



## DIMENSIONS

	MF34.7		
A (mm)	5440		
B (mm)	1325		
C (mm)	2850		
D (mm)	1265		
E (mm)	4100		
F (mm)	430		
H (mm)	2240		
M (mm)	995		
N (mm)	-		
P (mm)	2485		
R (mm)	3825		
S (mm)	4900		





**MERLO GROUP AUSTRALIA PTY LTD**

27 Colin Jamieson Dve, Welshpool (Perth), WA 6106  
Tel. (08) 9358 3110 - Fax (08) 9358 4110

120 Toongabbie Road, Girraween, NSW 2145  
Tel. (02) 9688 0600

Tel:1300 657 325

[info@merloaustralia.com.au](mailto:info@merloaustralia.com.au)  
[www.merloaustralia.com.au](http://www.merloaustralia.com.au)

**Your Merlo dealer**