

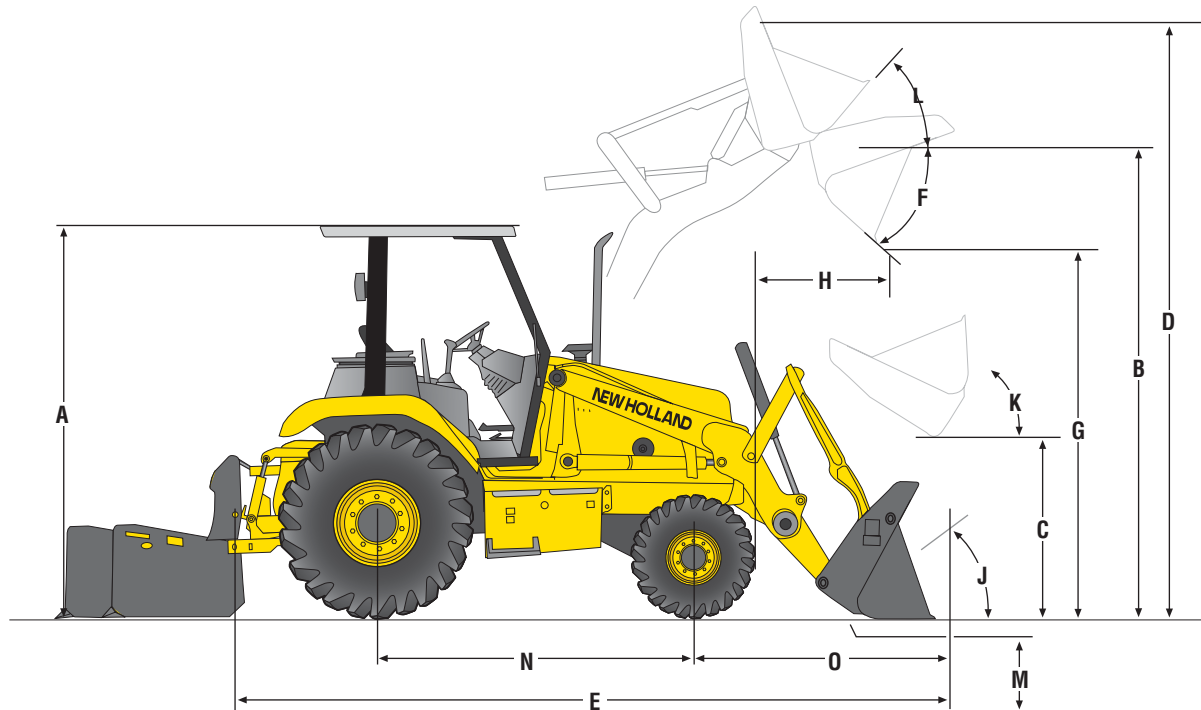
TRACTOR LOADER U80C

U80C

- New Flip Up Hood for Easier Daily Maintenance
- Narrow Backhoe Boom Design for Optimal Visibility
- Outstanding Loader Bucket Breakout Forces

**BUILT AROUND YOU**

U80C SPECIFICATIONS



LOADER DIMENSIONS

		Long Lip Bucket 19.5 L x 24 Tires	4 IN I® Bucket 17.5 L x 24 Tires			Long Lip Bucket	4 IN I® Bucket			
A.	Height to:			H.	Dump reach @ full height, 45° dump:					
	Top of canopy, ft/in (m)	8' 12" (2.73)	8' 9" (2.67)		Bucket, ft/in (m)	2' 2" (0.66)	2' 2" (0.66)			
	Height to top of canopy – Low profile ROPS, ft/in (m)	8' 9" (2.65)	8' 6" (2.59)		Clam open, in (m)	NA	11.8 (0.29)			
B.	Top of cab, ft/in (m)	8' 12" (2.74)	8' 10" (2.68)	J.	Bucket rollback:					
	Bucket hinge pin fully raised, ft/in (m)	11' 2" (3.41)	11' 2" (3.41)		@ Groundline	40°	40°			
C.	Bucket hinge pin @ SAE carry, ft/in (m)	1' 1" (0.33)	1' 3" (0.37)	K.	@ SAE carry	45°	45°			
	D.	Overall operating height – fully raised, ft/in (m)	13' 8" (4.17)		14' 3" (4.35)	L.	@ Full height	Adjustable	Adjustable	
E.		Overall length w/ 3-point hitch, ft/in (m)	16' 11" (5.15)	16' 8" (5.09)	M.		Digging depth below grade:			
	Width over tires:			Bucket flat, in (m)		7.8 (0.19)	7.1 (0.18)			
	11 L x 16, ft/in (m)	6' 8" (2.02)	6' 8" (2.02)	Clam open (dozing), in (m)		NA	4.4 (0.11)			
	12 L x 16.5, ft/in (m)	6' 10" (2.06)	6' 10" (2.06)	Ground clearance at front axle, in (m)		10.9 (0.28)	10.9 (0.28)			
	19.5 L x 24, ft/in (m)	6' 10" (2.07)	6' 10" (2.07)	N.		Wheelbase 4WD, ft/in (m)	7' 1" (2.15)	7' 1" (2.15)		
17.5 L x 24, ft/in (m)	6' 10" (2.07)	6' 10" (2.07)	Wheelbase 2WD, ft/in (m)		7' 0" (2.14)	7' 0" (2.14)				
F.	Dump angle @ full height	46°	45°	O.	Reach from front axle centerline – bucket on ground, ft/in (m)	6' 3" (1.89)	5' 12" (1.83)			
	G.	Dump clearance @ full height, 45° dump:				Maximum clam opening, ft/in (m)	NA	3' 3" (0.97)		
Bucket, ft/in (m)		9' 8" (2.93)	8' 11" (2.71)		Moldboard height, ft/in (m)	NA	3' 1" (0.93)			
Clam open, ft/in (m)		NA	8' 8" (2.63)		Lift capacity to full height, lb (kg)	6,503 (2950)	6,537 (2965)			
					Breakout force:					
					Lift cylinders, lb (N)				9,271 (41 239)	8,766 (38 993)
					Dump cylinders, lb (N)				9,607 (42 734)	10,325 (45 928)

NOTE: Loader dimensions taken with 4WD, 19.5 L x 24 rear tires and 82 in (2.08 m) general purpose bucket except as noted.

U80C SPECIFICATIONS

LOADER				
Single-lever 5 function control w/ self-leveling and Return-to-Dig		In-line, reverse linkage		
Positive hold float		Dual parallel dump cylinders		
Return-to-dig		Clutch disconnect button on loader control and shift levers		
Automatic self-leveling		Bucket position indicator		
Loader Bucket Sizes	Width, in (m)	Weight, lbs (kg)	Struck, yd ³ (m ³)	Heaped, yd ³ (m ³)
Long Life Bucket	82 (2.08)	686 (311)	.87 (.67)	1.03 (0.79)
4-in-1 Bucket	82 (2.08)	1,451 (658)	.85 (.65)	1.04 (0.80)

ENGINE	
Turbo	
Model	F5HFL463D*F005
Type	4-stroke, turbocharged
Cylinders	4
Bore x stroke, in (mm)	3.9 x 4.33 (99 x 110)
Displacement, in ³ (L)	207 (3.4)
Fuel injection	Direct HPCR (High Pressure Common Rail)
Engine speeds, (rpm)	
Rated speed, full load	2,200
Low idle	900 - 1,000
High idle, no load	2,330 - 2,430
Horsepower (SAE J1349)	
Gross @ 2,200 rpm, (kW)	74 (55)
Net @ 2,200 rpm, (kW)	68.4 (51)
Maximum torque @ RPM	
Gross, lb-ft (Nm)	233 (316)
Net, lb-ft (Nm)	219 (298)
Torque rise at rated speed	35%

POWERTRAIN				
Transmission type	4 speed synchromesh with hydraulically actuated clutches and electric F/R shuttle control, clutch disconnect buttons on the transmission shifter and loader control lever			
Torque converter ratio (standard)	3:1			
Torque converter (PTO ready)	3.2:1			
Differential-lock	On the go push-button activation			
Service brakes	Individually applied hydraulically actuated, maintenance-free, self adjusting outboard mounted wet disc			
Parking brakes	Trans Mounted SAHR (Spring Applied Hydraulic Release)			
Travel speeds, mph (km/h)	1st	2nd	3rd	4th
Forward/Reverse (standard)	3.8 (6.1)	6.1 (9.8)	12.8 (20.6)	24.0 (38.6)
Forward/Reverse (PTO Ready)	3.5 (5.6)	5.5 (8.9)	11.8 (19)	21.3(34.3)

Note: Travel speeds at 2,293 engine rpm with 19.5 L x 24 rear tires.

ELECTRICAL	
Voltage	12 Volts, negative ground
Alternator, amps	120
Battery	850 CCA
Optional batteries	850 CCA
Power plugs, amps	30 total

HYDRAULICS	
Pump	Gear-type, transmission mounted, direct drive to engine crankshaft
Loader flow @ rated engine rpm, gpm @ psi (L/min @ bar)	28.5 @ 3,000 (108 @ 207)
Loader control valve	2 or 3-spool with single lever control for lift, dump and tilt and auxiliary hydraulics, positive hold float and return-to-dig
3-pt hitch flow @ rated engine rpm, gpm @ psi (L/min @ bar)	3 to 8 @ 2,000 (0 to 30 @ 137)
3-pt hitch control valve	Sectional 4-spool, open-center parallel circuits with variable control for lift, pitch, tilt, and 2 auxiliary remotes
Loader auxiliary hydraulics, gpm (L/min)	12 to 28.5 (45.4 to 108)
Main relief pressure, psi @ gpm (bar @ L/min)	3,050 + 50 - 50 @ 28.5 (210 + 3 - 3 @ 108)
Filtration	7 micron full flow replaceable cartridge on return line, condition indicator light for filter
Oil cooler	Heavy-duty

TURNING DIAMETER		
2WD, ft/in (m)	Brakes on	12' 2" (3.70)
	Brakes off	12' 10" (3.91)
4WD-engaged, ft/in (m)	Brakes on	11' 7" (3.52)
	Brakes off	13' 9" (4.18)
4WD-disengaged, ft/in (m)	Brakes on	12' 3" (3.72)
	Brakes off	12' 11" (3.92)

Note: Turning diameter dimensions are curb to curb w/82" (2.08 m) general purpose bucket.

TIRES	
Front	2WD-11 L x 16.1, 10-ply rating 4WD-12 L x 16.5, 8-ply rating
Rear	2/4 WD-17.5 L x 24, 10-ply rating STD 2/4 WD-19.5 L x 24, 10-ply rating OPT

U80C SPECIFICATIONS

BASE & OPTIONAL EQUIPMENT

SERVICE CAPACITIES	
Fuel tank, gal (L)	30 (114)
Hydraulic system, gal (L)	
Total	19 (72)
Reservoir w/filter	15.3 (58)
Reservoir w/o filter	14.8 (56)
Transmission, gal (L)	
2WD Total system	4.5 (17)
4WD Total system	5.25 (20)
4WD Front axle, qt (L)	
Differential	5.8 (5.5)
Planetaries (each)	0.75 (0.7)
Rear Axle, qt (L)	
Differential	14.4 (13.6)
Planetaries (each)	1.6 (1.5)
Engine oil w/filter, qt (L)	8.5 (8)
Cooling system, qt (L)	17 (16.1)

3 POINT HITCH	
Category I & II 3-point hitch	
Hydraulic lift, pitch, tilt and (2) auxiliary remote	
Variable flow from 0 to 8 gpm (0 to 30 L/min)	
485 lbs (220 kg) counterweight included with hitch	
3-point Hitch Lift Capacity	
Hitch position, in (mm)	lbs (N)
Lowest point	2,500 (11 121)
1/5	3,247 (14 444)
2/5	3,400 (15 125)
3/5	3,501 (15 574)
4/5	3,297 (14 666)
Highest point	2,984 (13 274)

Note: Hitch position is vertical distance of lowest hitch point above ground.

WEIGHT	
Base Unit* with added options	10,916 lbs
Cab	+646 lbs
4WD	+218 lbs
3,000 lbs (counterweight)	+3,000 lbs
500 lbs Rear (counterweight)	+500 lbs
440 lbs Front (counterweight)	+440 lbs
Box Scraper	+1,592 lbs
4-in-1 Bucket	+717 lbs

*Unit configuration: 82" standard bucket, 2WD, 19.5L x 24 rear tires, ROPS cab, Suspension seat, dual batteries, no operator.

BASE EQUIPMENT	
ENGINE F5HFL463D*F005 Turbocharged Automatic fan belt tensioner Integral engine oil cooling Fuel filter with water trap Dual element air cleaner 120 amp alternator 850 CCA 12-volt battery Heavy duty radiator Particulate Matter Catalyst - Spark arresting	Two Accessory power plugs (30 amp) Anti-vandalism covers Beverage holder Coat hook w/tether strap Interior rear-view mirror 2" (51 mm) retractable seat belt Storage box
POWERTRAIN 4WD – 2WD 4F/4R Power shuttle synchromesh transmission Torque converter Transmission de-clutch Electro-hydraulic differential lock Hydrostatic steering Outboard wet disc brakes	INSTRUMENTS Gauges — back lit Engine water temperature Converter oil temperature Fuel Tachometer/hourmeter Voltmeter Warning lights Air cleaner restriction Alternator Engine oil pressure Hydraulic oil filter bypass Parking brake engagement Rear axle fluid temperature sensing system Low fuel A/C high pressure Cold start Water in fuel Master warning Master stop Audible alarms Coolant temperature Engine oil pressure Parking brake engagement Shuttle engagement Backup alarm Regeneration Converter oil temp Turn signal indicators Horn
HYDRAULICS 2 spool loader control valve 4 spool 3-point hitch control valve Heavy-duty oil cooler Flip forward hood Lights: 2 halogen headlights 2 rear flood 2 rear tail and stop 2 front flashers/turn 2 rear flashers/turn	
OPERATOR ENVIRONMENT ROPS/FOPS canopy Key start Hydrostatic steering Standard seat w/15° right, 30° right Foot throttles* Loader control lever w/push button activation of differential lock and transmission de-clutch	

OPTIONAL EQUIPMENT	
OPERATOR STATION Cab w/ Heat Cab w/ Heat and Air Conditioning Vinyl Suspension Seat w/ Armrest (Std. on 4 wheel drive) Hand Throttle	LOADER Loader Auxiliary Hydraulics and Controls (3 spool loader valve) Pin-On Multipurpose (4X1) 82" Loader Bucket w/ Cutting Edge (includes auxiliary hydraulics) Hydraulic Quick Coupler (From FFC, includes auxiliary hydraulics, 3 spool valve)
ENGINE Dual Batteries	OTHER Drawbar Tool Box 84" Box Scraper Rear Counterweight (3,000 lbs) Additional Stackable Rear Counterweights (475 lbs) 19.5 x 24 10PR Rear Tires Wheel weights - good Wide Seat Belt, 3" (75 mm)
HYDRAULICS Laser-Ready Valve Kit (includes valve, plumbing, and electrical harness) 5 Spool, Dual Tilt Cylinders w/ Return to Position, Load Holding Valve, and 3 Point Hitch Control 3 Point Hitch w/ PTO Hydraulic Pump (required when installing or using an hydraulic PTO) Glide Ride	

Built Around You

New Holland Construction manufactures and markets a full line of skid steer loaders, compact track loaders, loader backhoes, tractor loaders, mini excavators and compact wheel loaders. Drawing from the strength and resources of its Fiat brand network globally, New Holland Construction delivers technological innovation and achieves the highest in safety and environmental standards. New Holland Construction customers are supported by a network of 700 dealers and more than 1,800 outlets in 100 countries.



New Holland Construction Equipment is backed with a Limited Warranty for 1-Year/Unlimited Hours. See the Warranty and Limitation of Liability for warranty details and terms.



Design, materials and/or specifications are subject to change without notice and without liability therefor. Specifications are applicable to units sold in Canada, the United States, its territories and possessions, and may vary outside these areas.

© 2013 CNH America LLC. All rights reserved. New Holland is a trademark of CNH America LLC. Any trademarks referred to herein, in association with goods and/or services of companies other than CNH America LLC, are the property of those respective companies.



Safety begins with a thorough understanding of the equipment. Always make sure you and your operators read the Operator's Manual before using the equipment. Pay close attention to all safety and operating decals and never operate machinery without all shields, protective devices and structures in place. This is a one-person machine. Never allow riders in the cab, outside the machine, or in/on any bucket or attachment.

Stock #NHC201301TLBSPECS • PRINTED IN U.S.A.

 Printed on recycled paper