

KOBELCO

High & Wide Specifications

SK210_{LC} SK260_{LC} SK300_{LC} SK350_{LC}



Note: This catalog may contain attachments and optional equipment that are not available in your area. And it may contain photographs of machines with specifications that differ from those of machines sold in your areas. Please consult your nearest KOBELCO distributor for those items you require. Due to our policy of continuous product improvements all designs and specifications are subject to change without advance notice. Copyright by **KOBELCO CONSTRUCTION MACHINERY CO., LTD.** No part of this catalog may be reproduced in any manner without notice.

KOBELCO CONSTRUCTION MACHINERY CO., LTD.

5-15, Kitashinagawa 5-chome, Shinagawa-ku, Tokyo 141-8626 JAPAN
Tel: +81 (0) 3-5789-2146 Fax: +81 (0) 3-5789-2135
www.kobelco-kenki.co.jp/english_index.html

Inquiries To:

SK210LC/SK260LC/SK300LC/SK350LC-10-High & Wide Spec.-ANZ-102-2010IF

We Save You Fuel
Achieving a Low-Carbon Society

A new line-up specially equipped for forestry and hilly terrain work has been added to the SK excavator series famous for outstanding productivity and extremely low fuel consumption.

The High & Wide Specification series have the generous ground clearance needed to penetrate sites littered with stumps or rocks.

The extra crawler width ensures excellent stability, contributing to uninterrupted working and greater lifting capacity. Durability is significantly improved with full track guides and larger upper rollers for the crawlers, to prevent de-tracking.

With double grouser shoes used for better grip, these machines are designed to work smoothly over the roughest ground.



Power Meets Efficiency

Productivity

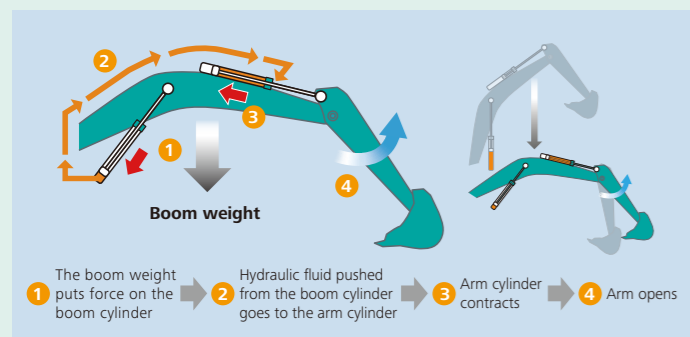
More Power and Higher Efficiency

The highly efficient hydraulic system minimizes fuel consumption while maximizing power. With nimble movement and outstanding digging power, these excavators improve job productivity.

Hydraulic System: Revolutionary Technology Saves Fuel

Arm Interflow System

When lowering the boom, this system uses the downward force generated by the boom's weight to push fluid to the arm. This greatly reduces the need to apply power from outside the system.



Performance

Excellent Stability

Overall width of crawlers is greater than standard models, for dependable stability and improved lifting capacity.

Overall width of crawler: **3,240 mm (SK210LC)**
3,450 mm (SK260LC)
3,650 mm (SK300LC/SK350LC)



Generous Ground Clearance

Travel is unhampered on forestry sites and in hilly terrain strewn with stumps and rocks.

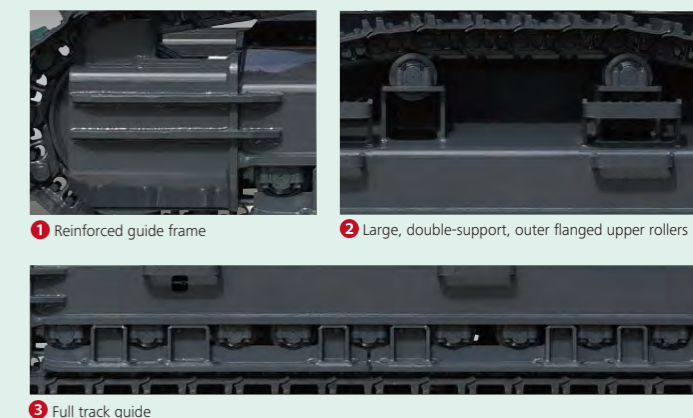
Ground clearance: **775 mm (SK210LC)**
780 mm (SK260LC)
785 mm (SK300LC/SK350LC)



Durability



The crawlers are designed to provide unbeatable durability to take on the harshest terrain. They feature full track guides to eliminate de-tracking concerns, a reinforced guide frame built to withstand heavy impact, and large, double-support, outer flanged upper rollers unfazed by powerful vibrations.



Specifications

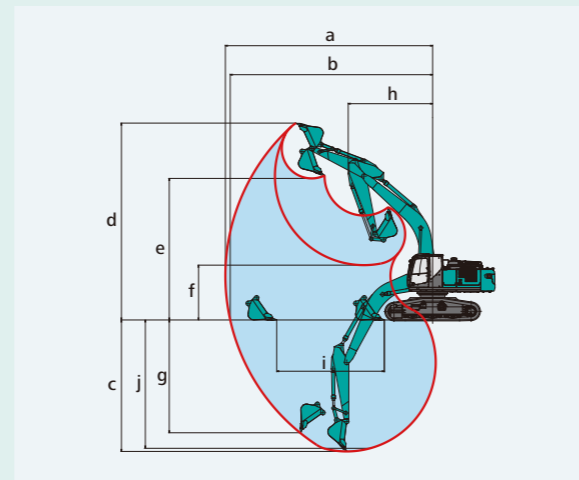
MODEL (High & Wide Specs)		SK210LC	SK260LC
PERFORMANCE			
Bucket Capacity (ISO heaped)	m ³	0.8	1.0
Swing Speed	min ⁻¹	13.3	10.8
Travel Speed (high/low)	km/h	5.5/3.4	5.8/3.6
Gradeability	% (degree)	70 (35)	70 (35)
Bucket Digging Force	kN	143/157*	170/187*
Arm Crowding Force	kN	102/112*	122/134*
Drawbar Pulling Force	kN	228	230
ENGINE			
Model		HINO J05ETA-KSSE	HINO J05ETB-KSSF
Type		Direct injection, water-cooled, 4-cycle, 4-cylinder diesel engine with intercooler turbo-charger	
Power Output	(ISO 9249) kW/min ⁻¹	114/2,000	132/2,100
	(ISO 14396) kW/min ⁻¹	118/2,000	137/2,100
Max. Torque	(ISO 9249) N·m/min ⁻¹	569/1,600	639/1,600
	(ISO 14396) N·m/min ⁻¹	592/1,600	654/1,600
Displacement	L	5.123	5.123
Fuel Tank	L	320	403
HYDRAULIC SYSTEM			
Pump		Two variable displacement pumps + One gear pump	
Max. Discharge Flow	L/min	220 x 2, 20 x 1	245 x 2, 21 x 1
		Extra gear pump 1 x 44	Extra gear pump 1 x 46
Relief Valve Setting (main)/[Power Boost]	MPa	34.3/[37.8]	
Swing Motor		Axial piston motor	
Travel Motors		2 x axial-piston, two-step motors	
Hydraulic Oil Tank (system)	L	140 (244)	165 (273)

*Power Boost engaged

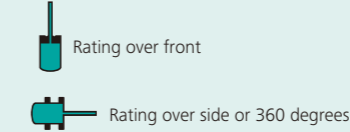
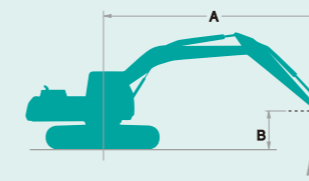
Working Ranges

Unit: m

MODEL (High & Wide Specs)	SK210LC	SK260LC
Boom	6.02 m	6.02 m
Arm	Standard 2.94 m	Standard 2.98 m
a- Max. digging reach	9.9	10.3
b- Max. digging reach at ground level	9.66	10.07
c- Max. digging depth	6.36	6.66
d- Max. digging height	10.07	10.13
e- Max. dumping clearance	7.25	7.22
f- Min. dumping clearance	2.78	2.89
g- Max. vertical wall digging depth	5.76	5.81
h- Min. swing radius	3.55	3.91
i- Horizontal digging stroke at ground level	5.33	5.31
j- Digging depth for 2.4 m (8') flat bottom	6.18	6.48
Bucket capacity ISO heaped m ³	0.8	1.0



Lifting Capacities



A – Reach from swing centerline for arm top
 B – Arm top height above/below ground
 C – Lifting capacities in kilograms
 * Max. discharge pressure: 37.8 MPa

SK210LC		Standard Arm: 2.94 m Bucket: without Shoe: 600 mm Double grouser shoe (High & Wide Specs)										HEAVY LIFT		
A	B	1.5 m		3.0 m		4.5 m		6.0 m		7.5 m		At Max. Reach	Radius	
		7.5 m	kg											
6.0 m	kg							*5,990	*5,990	*4,220	*4,220	*3,930	*3,930	7.54 m
4.5 m	kg					*7,890	*7,890	*6,620	6,380	*6,000	4,500	*3,880	*3,880	8.14 m
3.0 m	kg					*9,820	9,340	*7,510	6,090	6,160	4,370	*3,990	3,660	8.42 m
1.5 m	kg					*11,340	8,800	*8,300	5,820	6,020	4,240	*4,270	3,590	8.43 m
G.L.	kg			*7,310	*7,310	*11,890	8,540	8,220	5,650	5,930	4,150	*4,770	3,710	8.16 m
-1.5 m	kg	*7,820	*7,820	*12,370	*12,370	*11,520	8,490	8,160	5,600	5,930	4,160	*5,690	4,090	7.59 m
-3.0 m	kg	*13,050	*13,050	*14,010	*14,010	*10,160	8,610	*7,470	5,680			*6,330	4,990	6.63 m
-4.5 m	kg			*9,640	*9,640	*6,970	*6,970					*5,770	*5,770	5.07 m

SK260LC		Standard Arm: 2.98 m Bucket: without Shoe: 600 mm Double grouser shoe (High & Wide Specs)										HEAVY LIFT		
A	B	1.5 m		3.0 m		4.5 m		6.0 m		7.5 m		At Max. Reach	Radius	
		7.5 m	kg											
6.0 m	kg							*5,970	*5,970	*5,920	*5,920	*4,650	*4,650	7.91 m
4.5 m	kg					*8,210	*8,210	*6,870	*6,870	*6,260	5,860	*4,660	*4,660	8.48 m
3.0 m	kg					*10,690	*10,690	*8,040	7,860	*6,840	5,660	*4,830	4,480	8.75 m
1.5 m	kg					*12,660	11,350	*9,140	7,500	7,370	5,470	*5,190	4,390	8.76 m
G.L.	kg			*7,190	*7,190	*13,570	11,040	*9,870	7,270	7,230	5,350	*5,810	4,510	8.50 m
-1.5 m	kg	*8,710	*8,710	*13,020	*13,020	*13,580	10,990	9,940	7,190	7,200	5,310	6,640	4,930	7.95 m
-3.0 m	kg	*14,430	*14,430	*18,010	*18,010	*12,740	11,130	*9,530	7,270			*7,750	5,870	7.05 m
-4.5 m	kg			*14,700	*14,700	*10,570	*10,570					*8,110	*8,110	5.61 m

Notes:

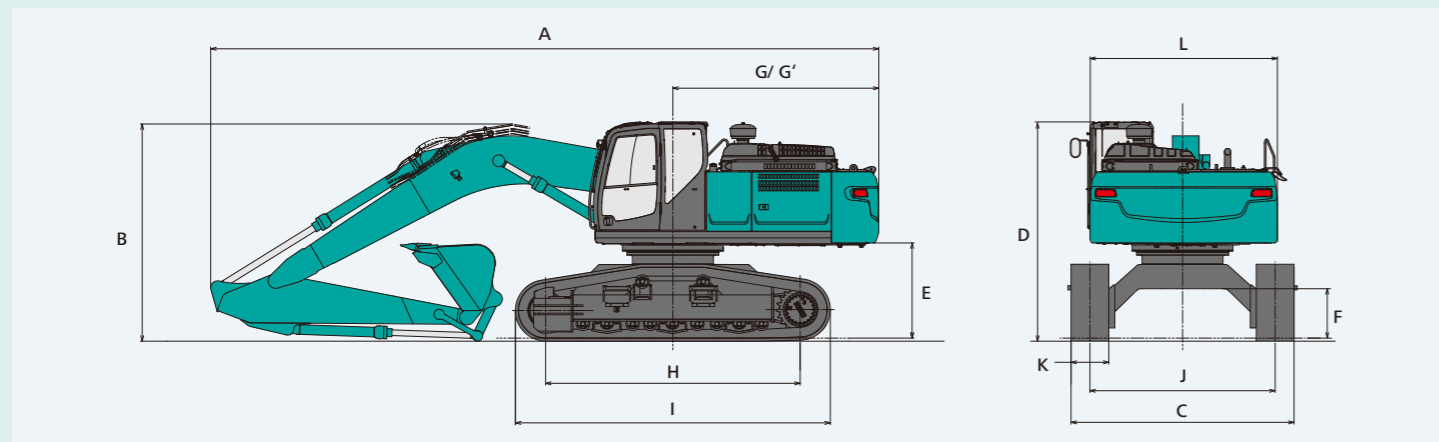
- Do not attempt to lift or hold any load that is greater than these lifting capacities at their specified lift point radius and heights. Weight of all accessories must be deducted from the above lifting capacities.
- Lifting capacities are based on machine standing on level, firm, and uniform ground. User must make allowance for job conditions such as soft or uneven ground, out of level conditions, side loads, sudden stopping of loads, hazardous conditions, experience of personnel, etc.
- Arm top defined as lift point.
- The above lifting capacities are in compliance with ISO 10567. They do not exceed 87% of hydraulic lifting capacity or 75% of tipping load. Lifting capacities marked with an asterisk (*) are limited by hydraulic capacity rather than tipping load.
- Operator should be fully acquainted with the Operator's and Maintenance Instructions before operating this machine. Rules for safe operation of equipment should be adhered to at all times.
- Lifting capacities apply to only machine as originally manufactured and normally equipped by KOBELCO CONSTRUCTION MACHINERY CO., LTD.

General Dimensions

MODEL (High & Wide Specs)	SK210LC	SK260LC
Arm length	2.94 m	2.98 m
A Overall length	9,450	10,090
B Overall height (to top of boom)	3,170	3,310
C Overall width	3,240	3,450
D Overall height (to top of cab)	3,370	3,380
E Ground clearance of rear end*	1,410	1,430
F Ground clearance*	775	780

G Tail swing radius	2,910	3,100
G' Distance from center of swing to rear end	2,900	3,070
H Tumbler distance	3,690	3,790
I Overall length of crawler	4,580	4,660
J Track gauge	2,640	2,850
K Shoe Width	600	600
L Overall width of upperstructure	2,710	2,980

*Without including height of shoe lug.



Operating Weight & Ground Pressure

SK210LC High & Wide Spec.			SK260LC High & Wide Spec.		
Operating Weight	Ground Pressure	Shoe Width	Operating Weight	Ground Pressure	Shoe Width
kg	kPa	mm	kg	kPa	mm
25,100	51	600 DG*1	29,000	58	600 DG*1
24,700	51	600 TG*2	28,600	57	600 TG*2
25,300	45	700 DG*1	29,200	50	700 DG*1
25,000	44	700 TG*2	28,900	49	700 TG*2

*1 DG: Double grouser shoe *2 TG: Triple grouser shoe

