



TURBOFARMER II
TF42.7-140, TF42.7 CS-140
TF42.7 CS-140-CVT



MERLO

PERFORMANCE AND FEATURES
TF42.7-140
TF42.7 CS-140
TF42.7 CS-140-CVT
PERFORMANCE

Total unladen weight (kg)	7450	7450	7450
Maximum capacity (kg)	4000	4000	4000
Lifting height (m)	7,2	7,2	7,2
Maximum reach (m)	3,8	3,8	3,8
Maximum operating height (m)	5,4	5,4	5,4
Maximum operating reach (m)	1,4	1,4	1,4
Capacity at maximum height (kg)	2750	2750	2750
Capacity at maximum reach (kg)	1400	1400	1400
Lateral boom movement (mm)	-	-	-
Tilting correction (%)	-	-	-
Boom sections	2	2	2

POWERTRAIN

Turbo motor	Deutz TCD3.6	Deutz TCD3.6	Deutz TCD3.6
Displacement/cylinders	3600/4	3600/4	3600/4
Engine Power (kW/HP)	100/136	100/136	100/136
Anti-pollution technology	TIER 4F, STAGE IV, SCR+DOC	TIER 4F, STAGE IV, SCR+DOC	TIER 4F, STAGE IV, SCR+DOC
Reversible fan	●	●	●
Maximum speed (km/h)	40	40	40
Fuel tank (l)	140	140	140
AdBlue tank (l)	18	18	18
Hydrostatic transmission	● - 2V	● - 2V	CVTronic
EPD	Plus	Top	Top
Axles	Portal	Portal	Portal
Reduction hub	RR700	RR700	RR700
Machine brakes	Dry disc	Dry disc	Dry disc
Automatic parking brake	●	●	●

HYDRAULIC

Hydraulic pump	LS	LS+FS	LS+FS
Flow rate/pressure (l/min – bar)	150-210	150-210	150-210
Hydraulic tank	110	110	110
Hydraulic outlet at the top of the boom	●	●	●
Rear hydraulic outlets	○	○	○

CAB

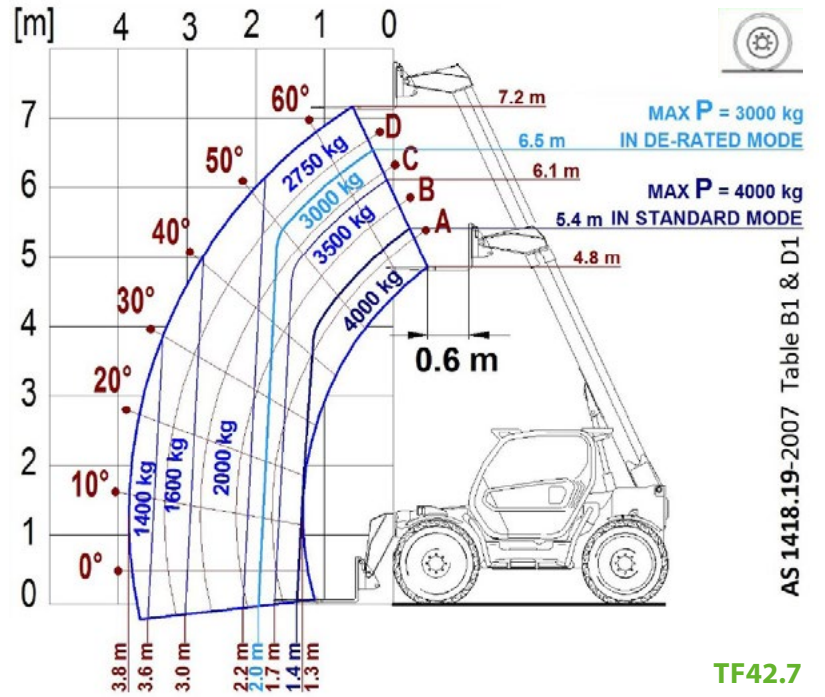
Cab configuration	ECO	ECO	ECO
MCDC	Complet	Complet	Complet
FOPS LIV II cab	●	●	●
ROPS cab	●	●	●
Cab commands	Electromechanic joystick	Electronic joystick	Electronic joystick
Tilting Cab	-	-	-
Reverse shuttle	Dual reverse	Dual reverse	Dual reverse

CONFIGURATION

Cab suspension	-	●	●
Boom suspension	●	●	●
Suspension on axles	-	-	-
Work headlights on cab	●	●	●
Sun blind	●	●	●
Tac-lock	●	●	●
Provision for a platform	○	○	○
Two floating forks	●	●	●
Inching-Control	●	●	●
Four-wheel drive	●	●	●
Four-wheel steering	●	●	●
Three steering modes	●	●	●
Standard tyres	405/70-24"	405/70-24"	405/70-24"
Optional tyres	-	-	-
Stabilisers	-	-	-
Turret rotation	-	-	-
Type approval as an agricultural tractor	○	○	○
Approval with PNEUMATIC braking	○	○	○
Approval with HYDRAULIC braking	○	○	○
PTO	-	-	-
3-point linkage	-	-	-

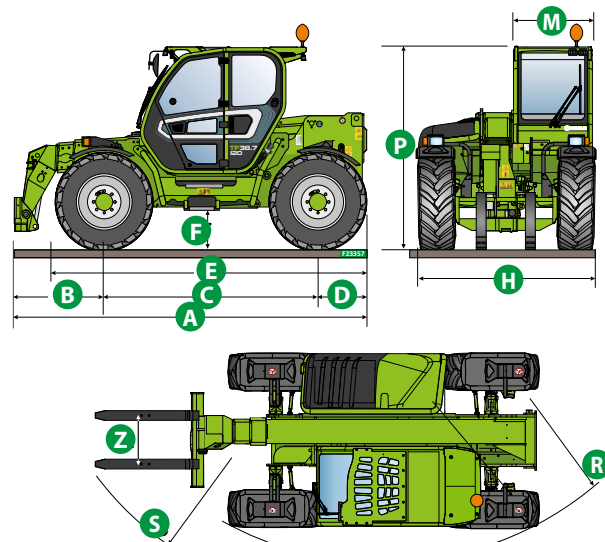
- Not Available. ● standard. ○ optional.

LOAD CHARTS



DIMENSIONS

	TF42.7		
A (mm)	4560		
B (mm)	1160		
C (mm)	2750		
D (mm)	650		
E (mm)	3926		
F (mm)	460		
H (mm)	2250		
M (mm)	995		
P (mm)	2530		
R (mm)	3985		
S (mm)	4800		
Z (mm)	850		





MERLO GROUP AUSTRALIA PTY LTD

27 Colin Jamieson Dve, Welshpool (Perth), WA 6106
Tel. (08) 9358 3110 - Fax (08) 9358 4110

120 Toongabbie Road, Girraween, NSW 2145
Tel. (02) 9688 0600

Tel:1300 657 325

info@merloaustralia.com.au
www.merloaustralia.com.au

Your Merlo dealer

DS_TF427_0720_AUS