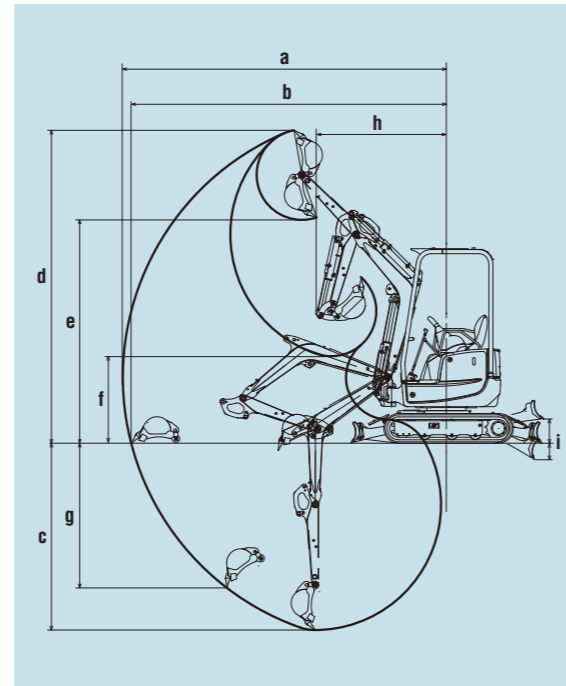


SPECIFICATIONS

GENERAL			
MODEL	SK17SR		
Type	SK17SR-5		
PERFORMANCE			
Bucket Capacity	m ³	0.05	
Travel Speed (high/low)	km/h	4.3/2.1	
Swing Speed	min ⁻¹ (rpm)	9.5	
Gradeability	%(degree)	47 (30)	
Traction Force	kN	18.3	
Bucket Digging Force	kN	15.2	
Arm Crowding Force	kN	8.5	
WEIGHT			
Machine Mass	kg	1,665	
Ground Pressure	kPa	28.6	
Shoe Type	Rubber		
ENGINE			
Model	Yanmar 3TNV70-XBV		
Type	Water cooled, 4-cycle, 3-cylinder		
Power Output NET (ISO 9249) kW/min ⁻¹ (rpm)	10.1/2,200		
Max. Torque NET (ISO 9249) N-m/min ⁻¹ (rpm)	49.9/1,600		
Displacement	L	0.854	
Fuel Tank	L	20	
HYDRAULIC SYSTEM			
Pump	Two variable displacement pumps + one gear pump		
Max. Discharge Flow	L/min	2 x 17.6, 13.2	
Relief Valve Setting	MPa	2 x 20.6, 16.7	
Hydraulic Oil Tank (system)	L	16.5 (26)	
DOZER BLADE			
Width x Height	mm	950/1,280 x 235	
Working Ranges (height/depth)	mm	260/205	
SIDE DIGGING MECHANISM			
Type	Boom swing		
Offset Angle	To the left	degree	42
	To the right	degree	65

WORKING RANGES

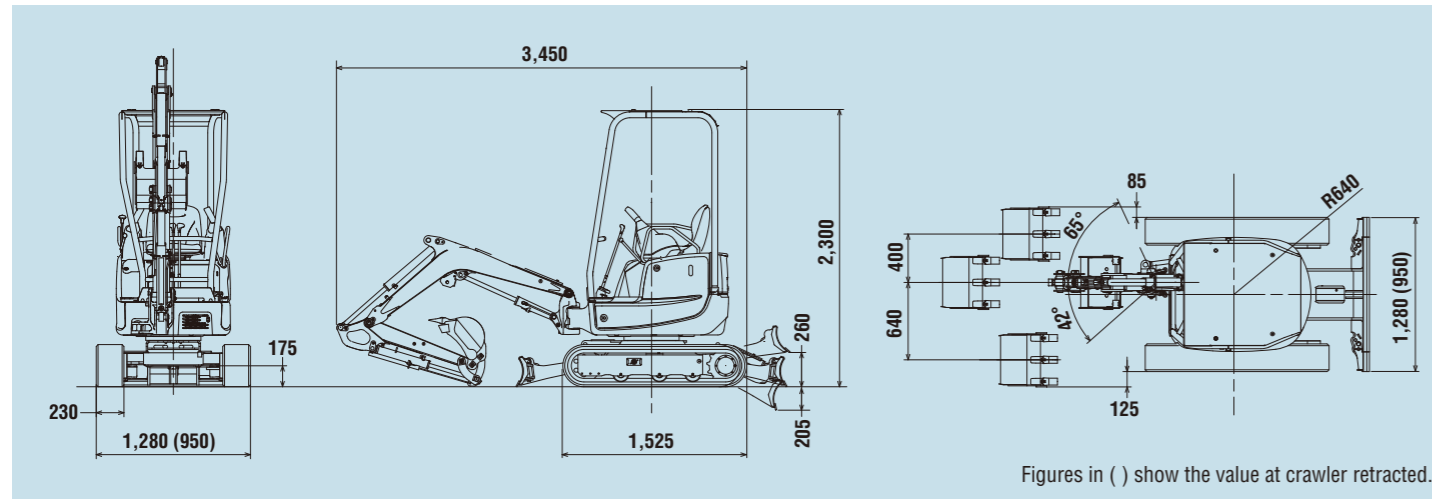


Unit: mm

MODEL	SK17SR
a- Max. digging reach	3,810
b- Max. digging reach at ground level	3,710
c- Max. digging depth	2,200
d- Max. digging height	3,690
e- Max. dumping clearance	2,630
f- Min. dumping clearance	1,025
g- Max. vertical wall digging depth	1,850
h- Min. swing radius (at boom swing)	1,535 (1,380)
i- Dozer blade (height/depth)	260/205

GENERAL DIMENSIONS

Unit: mm



Note: This catalog may contain attachments and optional equipment that are not available in your area. And it may contain photographs of machines with specifications that differ from those of machines sold in your areas. Please consult your nearest KOBELCO distributor for those items you require. Due to our policy of continuous product improvements all designs and specifications are subject to change without advance notice. Copyright by **KOBELCO CONSTRUCTION MACHINERY CO., LTD.** No part of this catalog may be reproduced in any manner without notice.

KOBELCO CONSTRUCTION MACHINERY CO., LTD.

17-1, Higashigotanda 2-chome, Shinagawa-ku, Tokyo 141-8626 JAPAN
 Tel: +81 (0) 3-5789-2146 Fax: +81 (0) 3-5789-2135
www.kobelco-kenki.co.jp/english_index.html

Inquiries To:

KOBELCO

SK17SR-5

MINI EXCAVATOR SK17SR



We Save You Fuel
 Achieving a Low-Carbon Society

Compact, Tough Performer

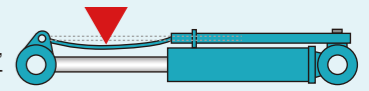
RELIABILITY

Reliable Construction

SK17SR has the durability needed in a machine that works in tight spaces.

Spring Steel Cylinder Rod Guard

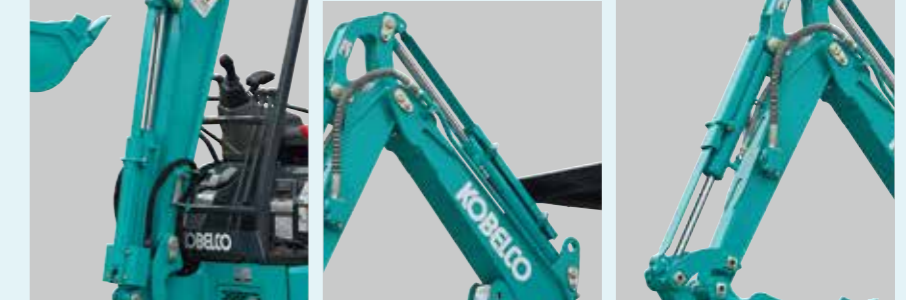
The spring steel cylinder rod guard is standard for the bucket, boom and arm cylinder. The use of spring steel not only protects the cylinder rod, but gives resiliency to the guard itself.



Boom cylinder rod guard

Arm cylinder rod guard

Bucket cylinder rod guard



Underside Protector

The frame corners are reinforced with thick casting iron. The side cover has a thicker plate for higher resilience.



Work Light

Work light is mounted under the boom to protect from damage.



Dozer

Dozer cylinder rod guard protects dozer cylinder from damage.



Blade Cutting Edge

Backfill dozer blade has wear-resistant cutting edge.



Mini excavators are widely used on sites where space is restricted, such as in residential areas and industrial premises. Users want big power in a small machine, stability in operation, and rugged construction and durability to reduce downtime. The SK17SR combines a compact design with wide digging reach for efficient performance, excellent maneuverability, and tough durability to ensure an extended working life.

Compact yet Big Performance

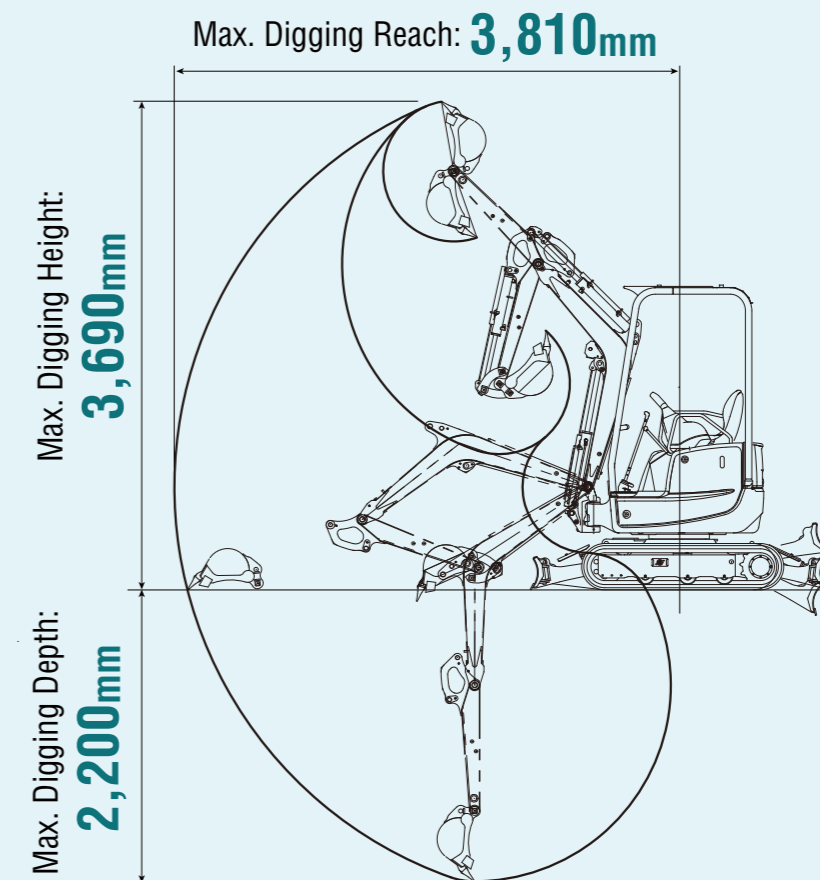
Short Tail Swing

The Combination of side-ditch digging function and zero tail radius makes it easy to dig next to walls with a compact operating footprint.



Wide Working Range

The SK17SR has plenty of working ranges, including top-class max. digging reach and max. digging depth.



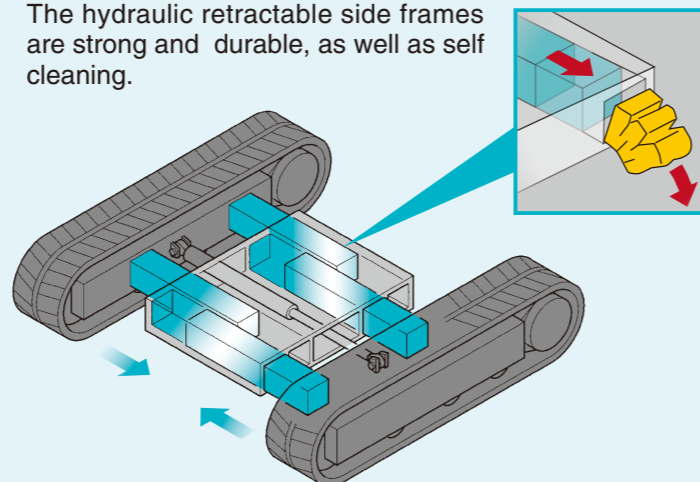
Retractable Crawlers

Crawlers can be easily extended and retracted by operating a simple lever.



Self-cleaning /Retractable Crawler Frames

The hydraulic retractable side frames are strong and durable, as well as self cleaning.



Reliable Swing Power, Faster Working Speeds

Boosted swing power and a top-class swing speed deliver shorter cycle times.

Swing Speed: **9.5min⁻¹**

Powerful Digging

For more efficient work performance.

Max. Arm Crowding Force: **8.5kN**

Max. Bucket Digging Force: **15.2kN**

Easy Extended/Retracted Blade

Dozer blade with pin-type hinge can be easily extended/retracted.



COMFORT

Comfortable Work Environment

Broader floor space gives operators plenty of foot room. Wide operational space is provided with more room between the left and right control consoles.

Walk-trough

A clear left-to-right walk-through offers greater convenience for the operator.



Storage Compartment for Manuals

A handy compartment in the seat-back holds manuals and other documents.



Easy Access to Control Panel and Levers



Control panel

Engine throttle lever

Crawler retract/extension lever

Travel high/low select pedal

Operator Safety

Reliable Canopy Structure

The four-support canopy meets ROPS and FOPS standards for greater operator safety.



Wrist Rest



Wrist rests fitted on the each control lever box ensure fatigue-free operation.

Travel Pedal



The travel pedal simplifies simultaneous operations while the machine traveling.

Safety Lever Lock



Safety lever lock permits enter and exit only when the levers are disengaged to prevent accidental operation.



Travel Alarm

Travel Alarm is equipped as standard.

MAINTENANCE

Easy Maintenance

Easier maintenance, with a fully-opening engine hood and equipment that requires the most frequent checks positioned to be readily visible.

Easy Access to Component (Left)



Cartridge type return filter



Oil level gauge



Battery

Easy Access to Cooling Unit



Radiator



Fuel tank

Easy Access to Engine Compartment (Rear)



Fuel filter

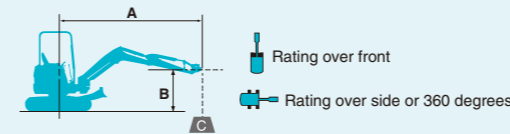


Water separator



Air cleaner

LIFTING CAPACITIES



A: Reach from swing centerline to arm top
B: Arm top height above/below ground
C: Lifting capacities in kilograms
Shoe: Rubber shoe Dozer blade: Up
Relief valve setting: 20.6 MPa

Notes:

- Do not attempt to lift or hold any load that is greater than these lift capacities at their specified lift point radius and heights. Weight of all accessories must be deducted from the above lift capacities.
- Lift capacities are based on machine standing on level, firm, and uniform ground. User must make allowance for job conditions such as soft or uneven ground, out of level conditions, side loads, sudden stopping of loads, hazardous conditions, experience of personnel, etc.
- Arm top defined as lift point.
- The above lifting capacities are in compliance with ISO 10567. They do not exceed 87% of hydraulic lifting capacity or 75% of tipping load. Lifting capacities marked with an asterisk (*) are limited by hydraulic capacity rather than tipping load.
- Operator should be fully acquainted with the Operator's and Maintenance Instructions before operating this machine. Rules for safe operation of equipment should be adhered to at all times.
- Lift capacities apply to only machine as originally manufactured and normally equipped by KOBELCO CONSTRUCTION MACHINERY CO., LTD.

B	SK17SR	Bucket: without Shoe: 230 mm					
		2.0 m		2.5 m		At Max. Reach	
		Rating over front	Rating over side or 360 degrees	Rating over front	Rating over side or 360 degrees	Rating over front	Rating over side or 360 degrees
2.0 m	kg			*315	*315	225	235
1.5 m	kg	*420	*425	305	*370	205	215
1.0 m	kg	410	435	285	295	185	200
0.5 m	kg	390	415	280	295	185	200
G. L.	kg	365	385	265	285	190	205
-0.5 m	kg	355	385	260	280	210	225
-1.0 m	kg	375	405			250	265