

# KOBELCO

SK380SRLC

Performance  Design

## SK380SRLC

- Bucket capacity:  
1.20 m<sup>3</sup>
- Engine power:  
200 kW / 2,100 min<sup>-1</sup>
- Operating weight:  
36,800 kg



**We Save You Fuel**  
Achieving a Low-Carbon Society



SK380SR<sub>LC</sub>



# Performance Design

With the release of the SK380SRLC, KOBELCO has completely harmonised the values of PERFORMANCE and DESIGN.

The SK380SRLC delivers greater efficiency and productivity with increased power and speed, along with uncompromising operator comfort and machine operability.

In the pursuit of producing unique and unbeatable machines that provide comfort and productivity without equal, KOBELCO continues to rise to the challenge.



# PREMIER OPERATOR COMFORTS

## Comfortable seat with air suspension

An air suspension seat is standard equipment in the spacious and climate controlled cabin, with optimal vent placement and a dust-free pressurised design ensuring superior operator comfort.

A switch activates a heated seat function for additional comfort in cooler climates.

## Optimal air conditioning vent placement

Air conditioning vents are optimally placed around the cabin with air flow directed toward the operator's neck and back, providing more comfortable operation.

## Light Touch Lever

The operation lever reduces fatigue over long working hours or continuous operations.



## Spacious Cab Interior

The cube shaped cabin design makes the most of straight lines, so the cab interior is more spacious, allowing for ample leg and shoulder room and accommodating operators of all sizes.

## Super-Airtight Cab

The airtight cabin ensures a quiet, comfortable cabin interior, and keeps dust out of the cab.



## Low Vibration

Coil springs absorb small vibrations, and high suspension mounts filled with silicone oil reduce heavy vibration. The long stroke achieved by this system provides excellent protection from vibration.



# EXCELLENT LIFTING AND DIGGING PERFORMANCE IN NARROW SPACES

## Drawbar Pulling Force (SAE)

Excellent drawbar force lets you conquer rough terrain and slopes.

**314 kN**

## Lift Capacity

**12,390 kg**

(Ground level over front @6.0m)

## Heavy Lift

High hydraulic pressure (Heavy Lift) means greater lifting power, at close radius, allowing for smooth and steady operation while moving heavy objects.





## Power Boost

When you need more power instantly, engage Power Boost to get more power with no time limit.

### ■ Max. Bucket Digging Force

Normal: **189** kN

With Power Boost: **208** kN

### ■ Max. Arm Crowding Force

Normal: **126** kN

With Power Boost: **139** kN

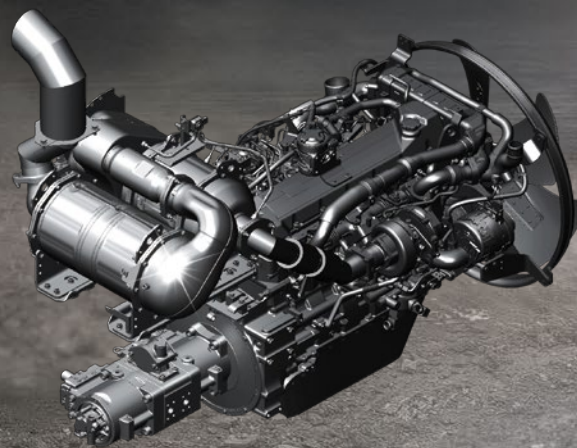


\* The picture shows 850mm shoe. 850mm shoe is optional equipment.

## EXCEPTIONAL PERFORMANCE JUST GOT EVEN BETTER

### KOBELCO engines Comply with Stage V exhaust emission regulation

Hino engines are renowned for fuel efficiency and environmental performance, and KOBELCO has tuned them specifically for construction machinery. The high-pressure common rail fuel injection system, the variable-geometry (VG) turbocharger, and the exhaust gas recirculation (EGR) system reduce particulate matter (PM) while the large EGR cooler greatly reduces the formation of Nitrogen Oxide (NOx) gases.



Model: HINO J08 EYD

Engine output

**200 kW / 2,100 min<sup>-1</sup>**  
(ISO14396 : without fan)





## Short radius design occupies only one lane of highway

In addition to excellent lifting and digging performance, the SK380SRLC has adopted the attachment mode for a variety of tasks such as breaking and operates effectively even in narrow spaces such as a single highway lane. Additionally, the cab permits operators to concentrate on work in a wide and comfortable space.



\* The picture shows 850mm shoe. 850mm shoe is optional equipment.

# EASY MAINTENANCE



Ground level DEF tank



Ground level storage compartment access



Two-stage air filter



Engine maintenance

A special lower access step near the engine simplifies maintenance.



Remote fuel tank drain valve

# MULTI-DISPLAY IN COLOUR

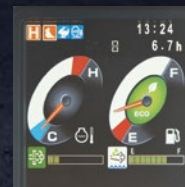
Brilliant colours and graphic displays are easy to recognise on the LCD multi-display in the console. The display shows fuel consumption, maintenance intervals, and more.



- 1 Analog-style gauges provide an intuitive reading of fuel level and engine temperature
- 2 Green indicates ECO mode selected or efficient operation in other modes
- 3 PM accumulation (left)/urea level (right)
- 4 Fuel consumption/Rear-view camera
- 5 Digging mode switch
- 6 Monitor display switch

## One-touch attachment mode switch

A simple flick flick of the switch converts the hydraulic circuit and flow amount to match attachments. Helpful icons let the operator confirm the proper configuration at a glance.



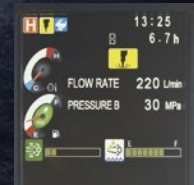
PM accumulation/  
Urea level display



Fuel consumption

	INTERVAL	REMAINING TIME	EXCHANGE DAY
ENGINE OIL	500	495	---
FUEL FILTER	500	495	---
HYD. FILTER	1000	995	---
HYD. OIL	5000	4995	---

Maintenance



Breaker mode



Nibbler mode

# SAFETY ON FULL DISPLAY

## Standard Safety Camera System

Thanks to the cameras on the rear, left and right, the operator inside the cab can confirm the safety of the worksite. The additional monitor makes it easy to confirm the situation. So, safety can be confirmed with the rear, left and right camera.



Rear view



Right view



Left view

\* The picture shows 850mm shoe. 850mm shoe is optional equipment.

# SAFETY AND CONVENIENCE IN EVERY CORNER



Rear camera



Left camera



Right camera

**Standard built-in rear, left and right side cameras**



**Rear-view mirror**



**Swing flashers for a safer job site**



**Piping for Quick Hitch**

A quick hitch hydraulic line which speeds up attachment changes is available.



**Standard FOPS overhead cab guard**

The standard FOPS guard can be tilted open for easy window cleaning. Meets standard FOPS, Top Guard Level II requirements. (ISO10262)



**Rain visor and Cab 2 lights**



**Standard LED lights**

Bright LED lights ensure visibility even during night work.



**AM/FM Bluetooth®(hands-free) radio**

Audio streaming and hands free phone calling capability.



**Powerful automatic air conditioner**

Also standard is an automatic air conditioner that maintains a comfortable interior environment all year around.



**Handrail**

The handrail on the step side allows easy access to the maintenance port on the upper arm.



**Engine oil filter**



**Ground level maintenance**

Fuel filter with built-in water-separator.



**Fuel filter**

The fuel filter with built-in water separator maximises filtering performance.

# Standard Equipment

## ENGINE

- Engine, HINO J08 EYD, diesel engine with turbocharger and intercooler, Stage V certified
- Auto Idle Stop (AIS)
- Automatic engine deceleration
- Batteries (2 X 12 V - 120 Ah)
- Starting motor (24 V - 5 kW)
- 60 amp alternator
- Engine oil pan drain valve
- Two-stage air filter

## CONTROL

- Working mode selector (H-mode, S-mode and ECO-mode)
- Power Boost

## SWING SYSTEM & TRAVEL SYSTEM

- Swing rebound prevention system
- Swing flasher
- Two-speed travel with automatic shift down
- Sealed & lubricated track links
- 600mm steel track shoes
- Grease-type track adjusters
- Automatic swing brake

## MIRRORS, LIGHTS & CAMERAS

- Rear view mirror, rear view camera, left and right side camera
- Five LED front work lights  
(two for cab, two for boom, one for right-side steps)

## HYDRAULIC

- Nibbler & Breaker hand control

## CAB & CONTROL

- Two control levers, pilot-operated
- Horn, electric
- Pattern changer
- Interior cab light
- Coat hook
- Large cup holder
- Detachable two-piece floor mat
- Air suspension Heated Seat
- Retractable 3-inch seatbelt
- Headrest
- Handrails
- Intermittent windshield wiper with double-spray washer
- Skylight
- Tiltable FOPS overhead cab guard (ISO 10262)
- Tinted safety glass
- Pull-type front window and removable lower front window
- Easy-to-read multi-display monitor
- Automatic air conditioner
- Emergency escape hammer
- Radio (AUX & Bluetooth®)
- 12 V converter
- Travel alarm
- Lower swivel guard
- Quick hitch piping
- GEOSCAN

# Optional Equipment

- 700, 800, 850mm steel track shoes
- Front-guard (bar type)

- Rain visor (may interfere with bucket action)
- Rotation hydraulic circuit

Note: Standard and optional equipment may vary. Consult your KOBELCO dealer for specifics.  
Bluetooth® is a registered trademark of the Bluetooth SIG Inc.



## Total Support for Machines with Network Speed and Accuracy

GEOSCAN is a cellular based telematics system for receiving machine information. Manage your machines anywhere in the world using the Internet. Location, workload and diagnostic data aid business operations.

### Direct Access to Operational Status

#### Location Data

Accurate location data can be obtained even from sites where communications are difficult.

#### Fuel Consumption Data

Data on fuel consumption and idling times can be used to indicate improvements in fuel consumption.

#### Operating Hours

A comparison of operating times of machines at multiple locations shows which locations are busier and more profitable. Operating hours on site can be accurately recorded, for running time calculations needed for rental machines, etc.

#### Graph of Work Content

The graph shows how working hours are divided among different operating categories, including digging, idling, traveling, and optional operations (N&B).



### Maintenance Data and Warning Alerts

#### Machine Maintenance Data

Provides maintenance status of separate machines operating at multiple sites. Maintenance data is also relayed to KOBELCO service personnel, for more efficient planning of periodic servicing.

#### Security System

##### Engine Start Alarm

Sends a notification if the engine is started outside of pre-defined hours.

##### Area Alarm

Sends a notification if the machine leaves a pre-defined area.

# Specifications

## Engine

Model	HINO J08 EYD
Type	Four-cycle, liquid-cooled, direct injection diesel, turbo charged, Stage V certified
No. of cylinders	6
Bore and stroke	112 mm × 130 mm
Displacement	7.684 L
Rated power output	188 kW/2,100 min <sup>-1</sup> (ISO 9249: with fan)
	200 kW/2,100 min <sup>-1</sup> (ISO 14396: without fan)
Max. torque	989 N·m/1,600 min <sup>-1</sup> (ISO 9249: with fan)
	1,017 N·m/1,600 min <sup>-1</sup> (ISO 14396: without fan)

## Hydraulic system

Pump	
Type	Two variable displacement axial piston pumps with a gear pump
Max. discharge flow	2 × 246 L/min
	1 × 21 L/min
	Extra gear pump 1 × 43 L/min
Relief valve setting	
Boom, arm and bucket	34.3 Mpa
Power Boost	37.8 Mpa
Travel circuit	34.3 Mpa
Swing circuit	29.0 Mpa
Control circuit	5.0 Mpa
Pilot control pump	Gear type
Main control valves	12-spool
Oil cooler	Air cooled type

## Swing system

Swing motor	One fixed displacement piston pump
Parking brake	Wet multiple plate
Swing speed	8.4 min <sup>-1</sup>
Swing torque	120 kN (SAE)
Tail swing radius	1,900 mm
Min. front swing radius	3,450 mm

## Attachments

Backhoe bucket and combination

Use	Backhoe bucket	
	Normal digging	
Bucket capacity	ISO heaped	m <sup>3</sup>
	struck	m <sup>3</sup>
Opening width	With side cutter	mm
	Without side cutter	mm
No. of teeth		5
Bucket weight		kg
Combination	3.10 m standard arm	
	2.40 m short arm	

Recommend

## Travel system

Travel motors	Variable displacement piston, two-speed motors
Parking brakes	Wet multiple plate
Travel shoes	48 each side
Travel speed	4.6/2.8 km/h
Drawbar pulling force	314 kN (SAE)
Gradeability	70 % {35°}
Ground clearance	500 mm

## Cab & control

### Cab

All-weather, sound-suppressed steel cab mounted on the silicon-sealed suspension mounts and equipped with a heavy, insulated floor mat.

### Control

Two hand levers and two foot pedals for travel

Two hand levers for excavating and swing

Electric rotary-type engine throttle

## Boom, arm & bucket

Boom cylinders	145 mm x 1,361 mm
Arm cylinder	150 mm x 1,675 mm
Bucket cylinder	130 mm x 1,208 mm

## Refilling capacities & lubrications

Fuel tank	350 L
Cooling system	35 L
Engine oil	28.5L
Travel reduction gear	2 x 7.5 L
Swing reduction gear	7.4 L
Hydraulic oil tank	245L tank oil level
	440L hydraulic system
DEF tank	20.7L

## Working ranges

Unit: m

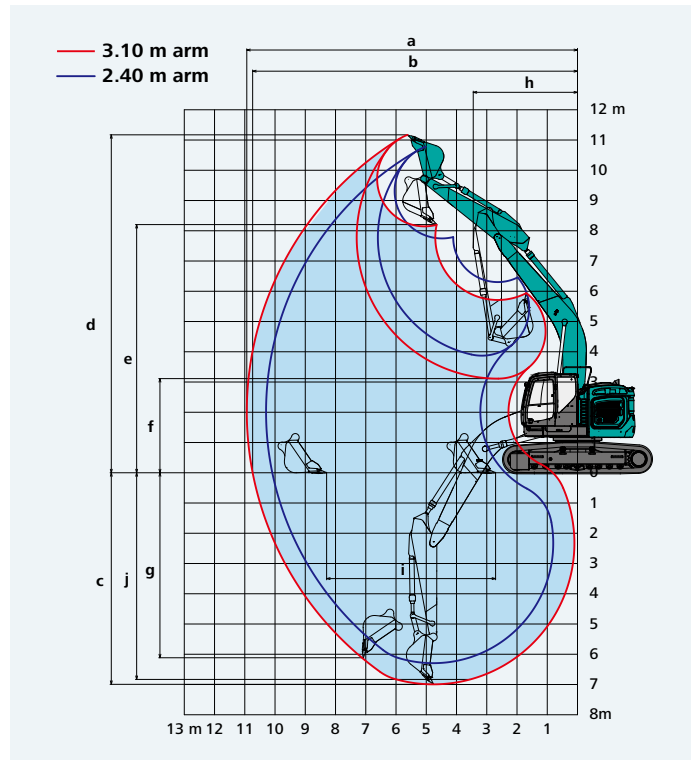
Boom	6.20 m	
	2.40 m	3.10 m
Range		
a- Max. digging reach	10.30	10.93
b- Max. digging reach at ground level	10.09	10.74
c- Max. digging depth	6.29	6.99
d- Max. digging height	10.78	11.17
e- Max. dumping clearance	7.75	8.15
f- Min. dumping clearance	3.87	3.11
g- Max. vertical wall digging depth	5.69	6.11
h- Min. swing radius	3.56	3.45
i- Horizontal digging stroke at ground level	3.99	5.59
j- Digging depth for 2.4 m (8') flat bottom	6.10	6.83
Bucket capacity ISO heaped m <sup>3</sup>	1.20	

## Digging force (ISO 6015)

Unit: kN

Arm length	2.40 m	3.10 m
Bucket digging force	189 / 208*	189 / 208*
Arm crowding force	158 / 174*	126 / 139*

\*Power Boost engaged.



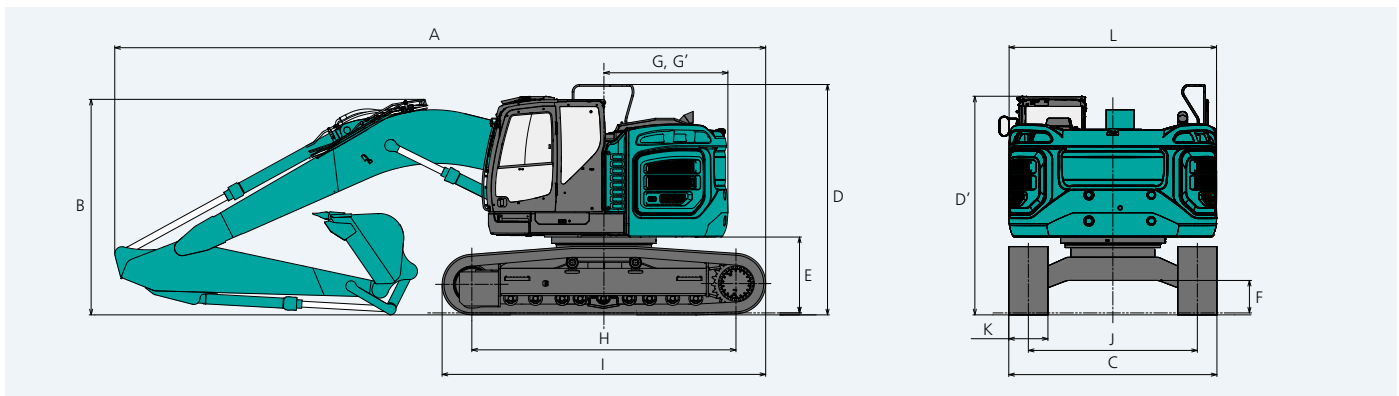
## Dimensions

Unit: mm

Arm length	2.40 m	3.10 m
A Overall length	10,100	9,980
B Overall height (to top of boom)	3,550	3,300
C Overall width	3,190**	
D Overall height (to top of handrail)	3,530	
D' Overall height (to top of cab)	3,350	
E Ground clearance of rear end*	1,160	
F Ground clearance*	500	

G Tail swing radius	1,900
G' Distance from center of swing to rear end	1,900
H Tumbler distance	4,050
I Overall length of crawler	4,960
J Track gauge	2,590
K Shoe width	600
L Overall width of upperstructure	3,180

\*Without including height of shoe lug \*\*600 mm shoe



## Operating weight & ground pressure standard boom

Boom: 6.20 m Arm: 2.40 m bucket: 1.20 m<sup>3</sup> ISO heaped bucket

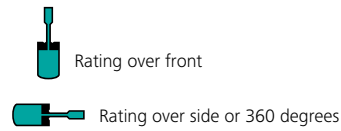
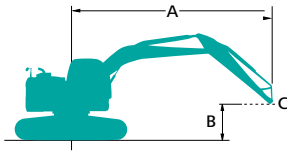
Type of Grouser		Triple grouser				Double grouser
Shoes	mm	600	700	800	850	600
Ground pressure	kPa	68	60	53	50	69
Operating weight	kg	36,600	37,400	37,800	38,000	37,100

Boom: 6.20 m Arm: 3.10 m bucket: 1.20 m<sup>3</sup> ISO heaped bucket

Type of Grouser		Triple grouser				Double grouser
Shoes	mm	600	700	800	850	600
Ground pressure	kPa	69	60	53	51	70
Operating weight	kg	36,800	37,600	38,000	38,200	37,300

# Lift Capacities

**SK380SRLC**  
SK380SRLC



A - Reach from swing centerline to arm top  
B - Arm top height above/below ground  
C - Lift point  
Relief valve setting: 37.8 MPa

SK380SRLC		Arm: 2.40m Bucket: without Counterweight: 9,000kg Shoe: 600mm (Heavy Lift)										
B	A	3.0 m		4.5 m		6.0 m		7.5 m		At Max. Reach		Radius
9.0m	kg									*8,950	*8,950	5.04 m
7.5m	kg					*8,630	*8,630			*7,680	7,080	6.72 m
6.0m	kg			*10,240	*10,240	*9,010	8,450	*8,510	5,870	*7,230	5,540	7.74 m
4.5m	kg			*13,030	12,370	*10,150	8,040	*8,840	5,720	*7,150	4,780	8.36 m
3.0m	kg					*11,540	7,550	9,330	5,500	*7,340	4,410	8.67 m
1.5m	kg					*12,610	7,150	9,090	5,280	7,310	4,290	8.71 m
G.L.	kg			*15,460	10,410	12,440	6,940	8,940	5,150	7,530	4,390	8.47 m
-1.5m	kg	*11,100	*11,100	*16,530	10,460	12,390	6,890	8,920	5,130	8,260	4,790	7.94 m
-3.0m	kg	*18,730	*18,730	*14,550	10,650	*11,150	7,010			*8,880	5,720	7.03 m
-4.5m	kg			*10,840	*10,840					*8,260	8,180	5.58 m

SK380SRLC		Arm: 3.10m Bucket: without Counterweight: 9,000kg Shoe: 600mm (Heavy Lift)												
B	A	3.0 m		4.5 m		6.0 m		7.5 m		9.0 m		At Max. Reach		Radius
9.0m	kg					*5,380	*5,380					*4,790	*4,790	6.10 m
7.5m	kg					*7,420	*7,420	*4,530	*4,530			*4,240	*4,240	7.53 m
6.0m	kg					*7,960	*7,960	*7,600	5,960			*4,030	*4,030	8.45 m
4.5m	kg	*16,910	*16,910	*11,300	*11,300	*9,180	8,170	*8,110	5,770	*4,280	4,250	*3,990	*3,990	9.03 m
3.0m	kg			*14,640	11,590	*10,700	7,640	*8,860	5,500	*6,770	4,140	*4,090	3,910	9.31 m
1.5m	kg			*17,010	10,690	*12,030	7,180	9,070	5,250	6,910	4,020	*4,330	3,800	9.35 m
G.L.	kg			*17,670	10,320	12,390	6,870	8,860	5,070	*6,450	3,940	*4,770	3,860	9.13 m
-1.5m	kg	*11,420	*11,420	*17,140	10,250	12,250	6,750	8,770	4,990			*5,530	4,150	8.64 m
-3.0m	kg	*18,020	*18,020	*15,650	10,370	*11,810	6,790	8,840	5,050			*6,960	4,800	7.82 m
-4.5m	kg	*17,300	*17,300	*12,830	10,690	*9,480	7,040					*8,160	6,290	6.54 m

- Note:**
- Do not attempt to lift or hold any load that is greater than these lift capacities at their specified lift point radius and heights. Weight of all accessories must be deducted from the above lift capacities.
  - Lift capacities are based on machine standing on level, firm, and uniform ground. User must make allowance for job conditions such as soft or uneven ground, out of level conditions, side loads, sudden stopping of loads, hazardous conditions, experience of personnel, etc.
  - Bucket pin attachment point defined as lift point.
  - The above lift capacities are in compliance with ISO 10567. They do not exceed 87% of hydraulic lift capacity or 75% of tipping load. Lift capacities marked with an asterisk(\*) are limited by hydraulic capacity rather than tipping load.
  - Operator should be fully acquainted with the Operator's and Maintenance Instructions before operating this machine. Rules for safe operation of equipment should be adhered to at all times.
  - Lift capacities apply to only machine as originally manufactured and normally equipped by KOBELCO CONSTRUCTION MACHINERY CO., LTD.

Note: This catalogue may contain attachments and optional equipment that are not available in your area. And it may contain photographs of machines with specifications that differ from those of machines sold in your areas. Please consult your nearest KOBELCO distributor for those items you require. Due to our policy of continuous product improvements all designs and specifications are subject to change without advance notice. Copyright by **KOBELCO CONSTRUCTION MACHINERY CO., LTD.** No part of this catalogue may be reproduced in any manner without notice.

**KOBELCO CONSTRUCTION MACHINERY CO., LTD.**  
5-15, Kitashinagawa 5-chome, Shinagawa-ku, Tokyo 141-8626 JAPAN  
Tel: +81 (0) 3-5789-2146 Fax: +81 (0) 3-5789-2135  
www.kobelcocm-global.com

Inquiries To: